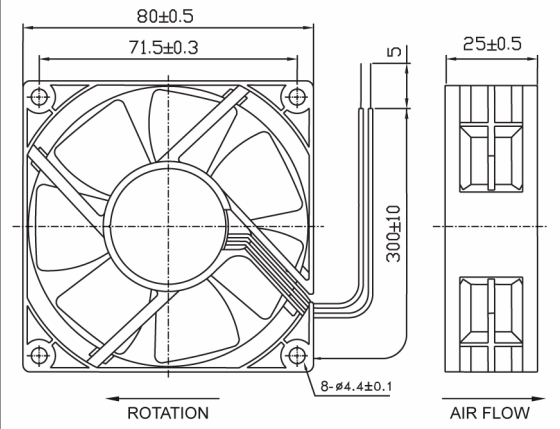
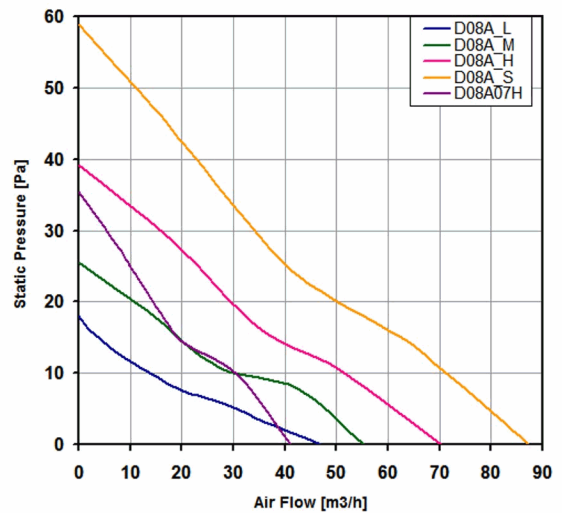


"D08AA" SERIES COSTECH FANS

Description: **c.c. axial fan 80x80x25 mm**



Casing material:	Black fibreglass reinforced plastic (PBT) UL 94V-0
Impeller material	Black fibreglass reinforced plastic (PBT) UL 94V-0
Protection degree:	IP20, according to EN 60529 standard
Fixing system:	by No 4 M4 screws
Motor protection:	by impedance and by IC for super high speed
Storage temperature:	from -40°C to +70°C
Rated temperature range:	from -10°C to +70°C
Lifetime L10 at 40°C:	70,000 h
Electrical connection:	2 leads 24AWG UL 1007, lenght 300 mm
Approvals:	UL E223195
Weight:	86g



All specifications, data and drawing are subject to change without notice and are approximate. Please refer to our terms of sales including our warranty and limited liabilities clause

Model	Bearing	Voltage	Rated Current	Rated Power	Max Air Flow**	Static Pressure	Noise	RPM	Approvals
		(V)	(A)	(W)	(m ³ /h)	(Pa)	[db(A)]	(rpm)	
D08A05HWBA00	Ball	24 V d.c.	0.160	3.8	70	39	36.2	3,200	CE; UR
D08A05HWHA00	Hypro	24 V d.c.	0.160	3.8	70	39	36.7	3,200	CE; UR
D08A05HWSA00	Sleeve	24 V d.c.	0.160	3.8	70	39	36.7	3,200	CE; UR
D08A05LWBA00	Ball	24 V d.c.	0.090	2.2	43	17	22.7	2,000	CE; UR
D08A05LWHA00	Hypro	24 V d.c.	0.090	2.2	43	17	22.7	2,000	CE; UR
D08A05LWSA00	Sleeve	24 V d.c.	0.090	2.2	43	17	22.7	2,000	CE; UR
D08A05MWBA00	Ball	24 V d.c.	0.110	2.6	55	25	29.4	2,500	CE; cURus
D08A05MWHA00	Hypro	24 V d.c.	0.110	2.6	55	25	29.4	2,500	CE; cURus
D08A05MWSA00	Sleeve	24 V d.c.	0.110	2.6	55	25	29.4	2,500	CE; cURus
D08A05SWBA00	Ball	24 V d.c.	0.260	6.2	87	59	40.9	3,900	CE; cURus
D08A05SWHA00	Hypro	24 V d.c.	0.260	6.2	87	59	40.9	3,900	CE
D08A05SWSA00	Sleeve	24 V d.c.	0.260	6.2	87	59	40.9	3,900	CE; cURus
D08A07HWBA00	Ball	48 V d.c.	0.110	5.3	40	35	35.2	3,000	CE; UR

All specifications, data and drawing are subject to change without notice and are approximate. Please refer to our terms of sales including our warranty and limited liabilities clause